



US00D611720S

(12) **United States Design Patent**  
**Coyne et al.**

(10) **Patent No.:** **US D611,720 S**

(45) **Date of Patent:** **\*\* Mar. 16, 2010**

(54) **INFANT CRADLE**

(75) Inventors: **Sean Coyne**, Tallahassee, FL (US);  
**Rachelle McClure**, Tallahassee, FL (US)

(73) Assignee: **Florida State University**, Tallahassee,  
FL (US)

(\*\*) Term: **14 Years**

(21) Appl. No.: **29/324,677**

(22) Filed: **Sep. 17, 2008**

(51) **LOC (9) Cl.** ..... **06-03**

(52) **U.S. Cl.** ..... **D6/392**

(58) **Field of Classification Search** ..... D6/390,  
D6/391, 331, 333; 5/93.1, 97, 98.1, 99.1,  
5/93.2, 101

See application file for complete search history.

(56) **References Cited**

**U.S. PATENT DOCUMENTS**

582,215	A	*	5/1897	Martin	.....	5/98.1
D118,113	S	*	12/1939	Feldman	.....	D23/278
2,287,907	A	*	6/1942	Schettler, Jr.	.....	5/98.1
D137,982	S	*	5/1944	Lanese	.....	D6/390
2,434,800	A	*	1/1948	Hollander	.....	248/150
D251,518	S	*	4/1979	Boudreau et al.	.....	D6/386
D534,367	S	*	1/2007	Peltonen	.....	D6/390

\* cited by examiner

*Primary Examiner*—Janice E Seeger

(74) *Attorney, Agent, or Firm*—Courtney M. Dunn; Smith & Hopen, P.A.

(57) **CLAIM**

The ornamental design for an infant cradle, as shown and described.

**DESCRIPTION**

FIG. 1 is a front perspective view of the infant cradle;

FIG. 2 is a front view thereof;

FIG. 3 is a rear view thereof;

FIG. 4 is a right side view thereof;

FIG. 5 is a left side view thereof;

FIG. 6 is a bottom view thereof;

FIG. 7 is a top view thereof;

FIG. 8 is a semi-exploded front perspective view of the cradle portion removed from the stand;

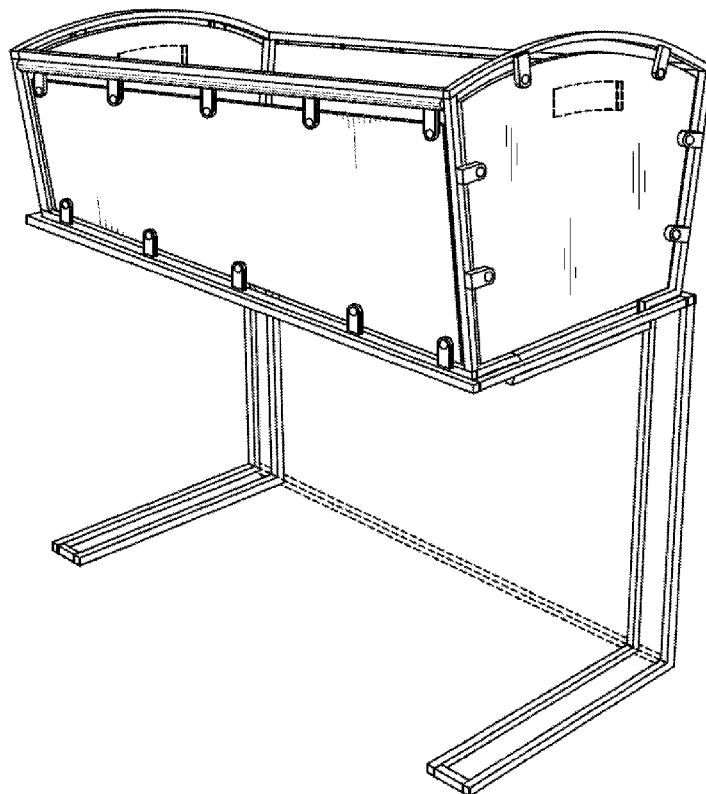
FIG. 9 is a bottom view of the cradle portion; and,

FIG. 10 is front perspective view of the cradle portion with the sides removed therefrom.

The cradle and stand are shown separately in FIGS. 8 through 10 for convenience of illustration.

The broken lines are for environmental purposes only and form no part of the claimed design.

**1 Claim, 7 Drawing Sheets**



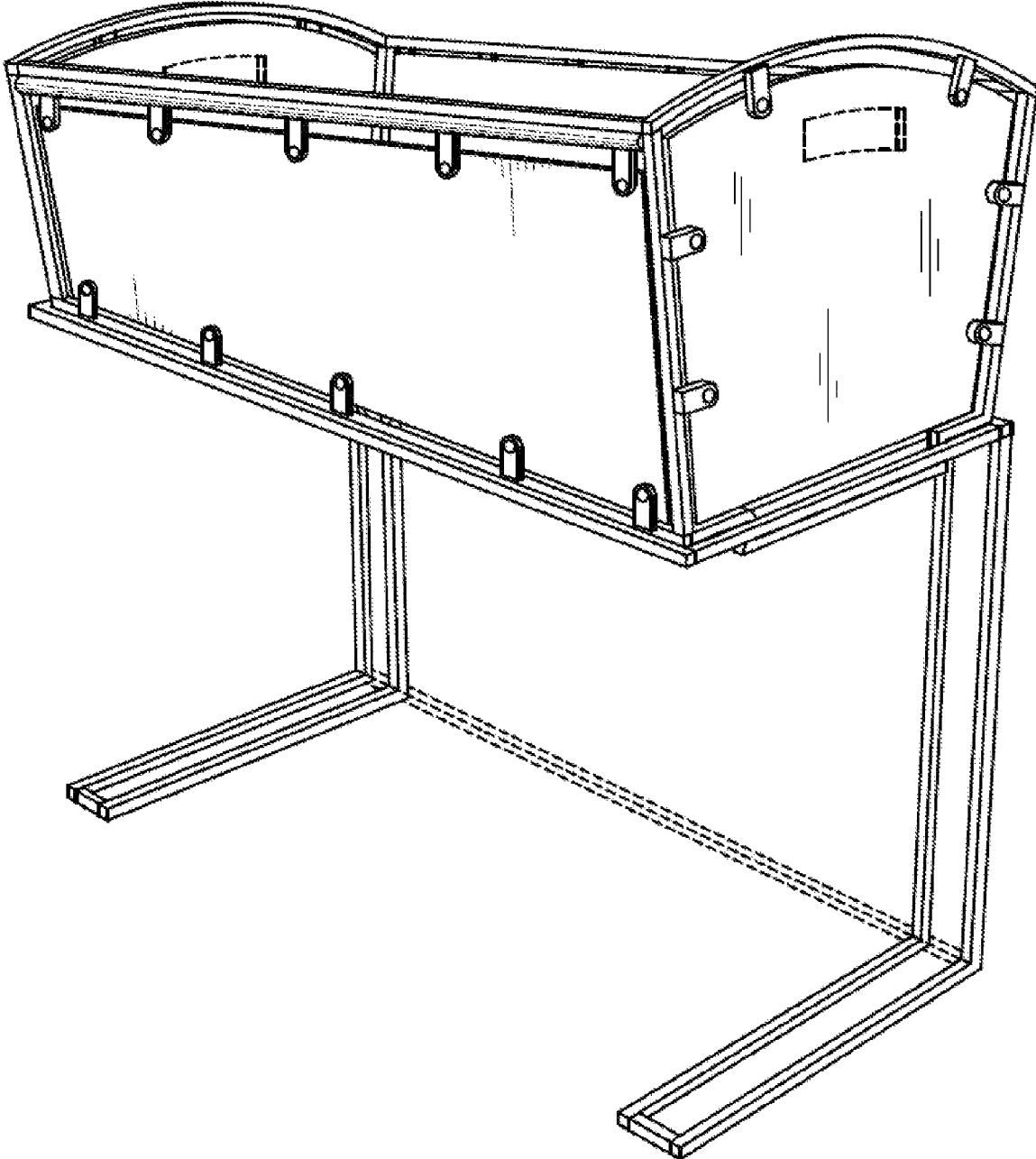


FIG. 1

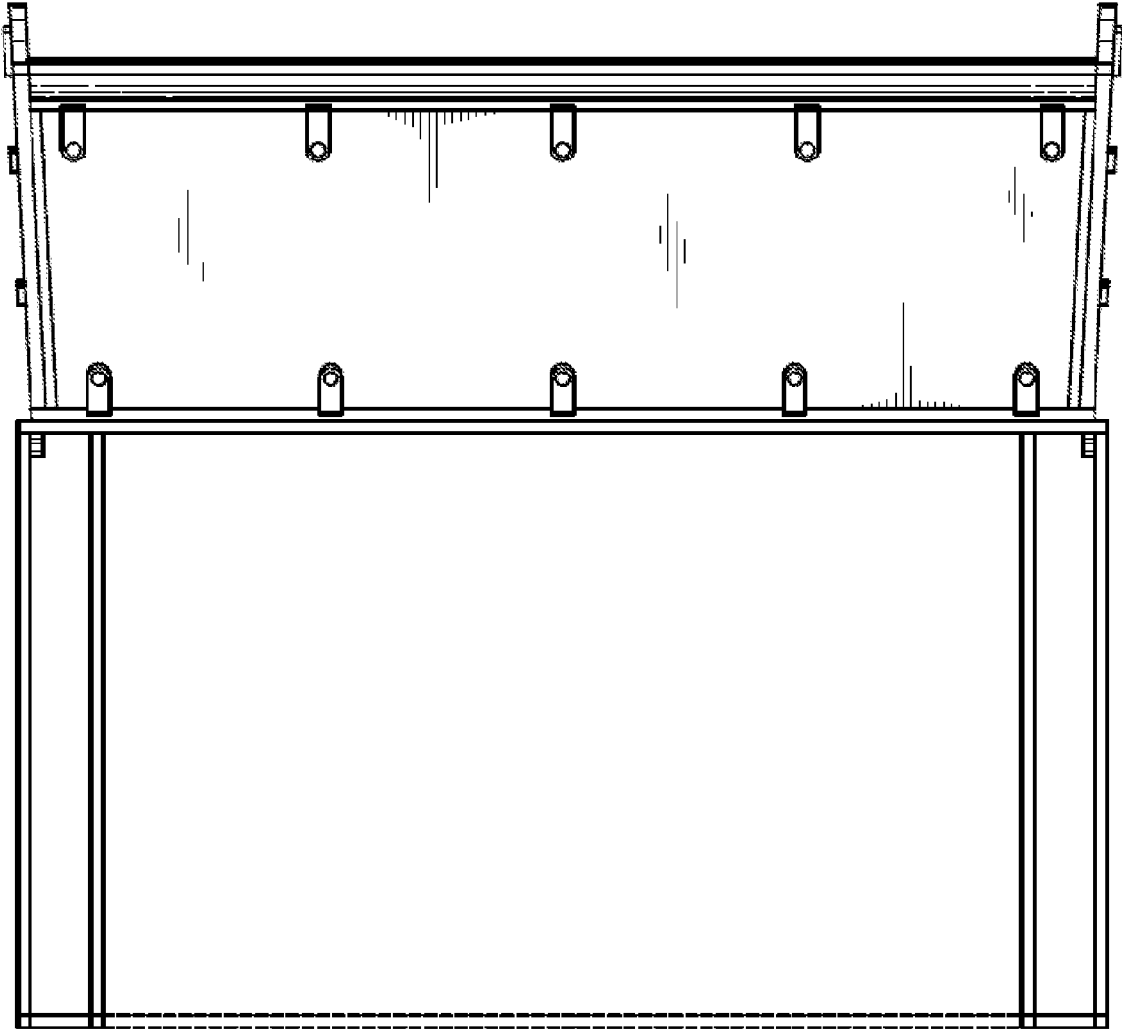


FIG. 2

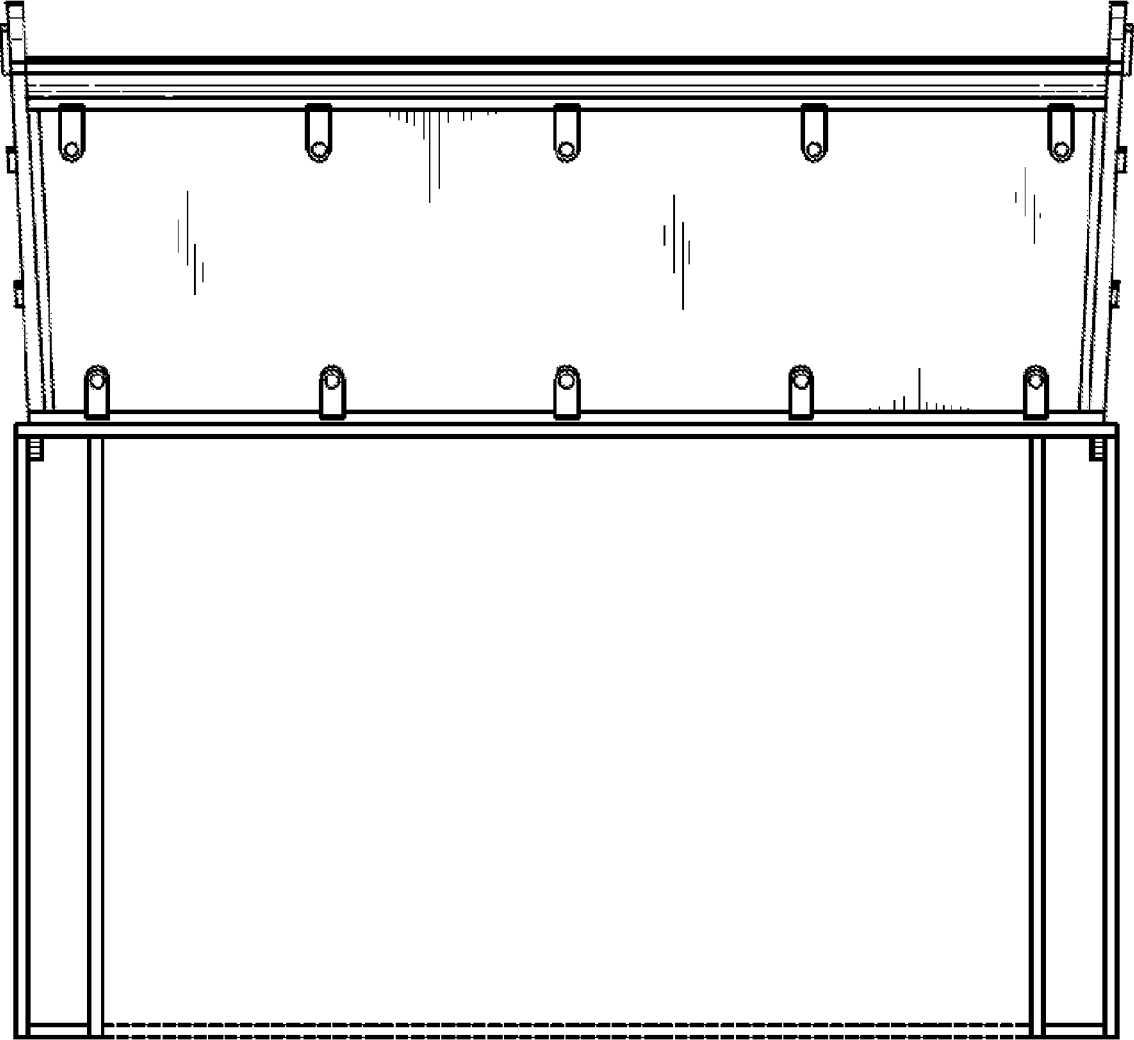


FIG. 3

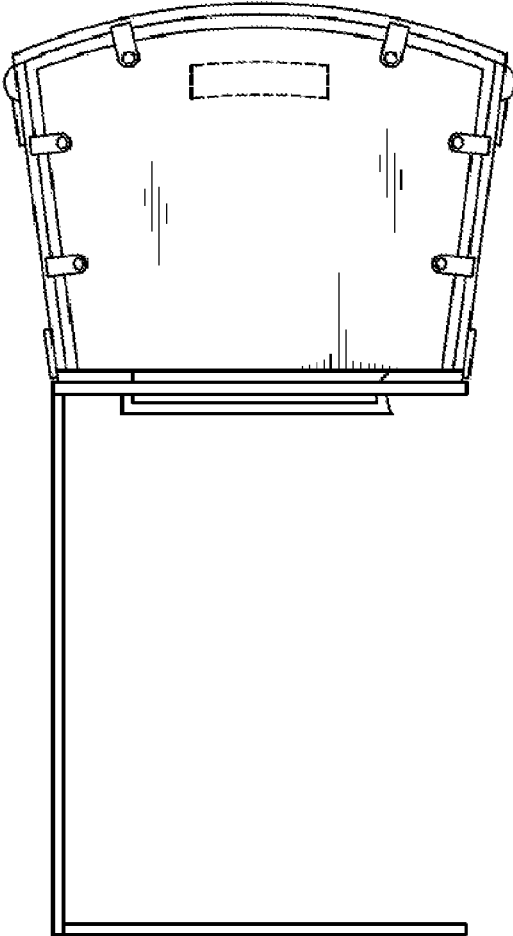


FIG. 4

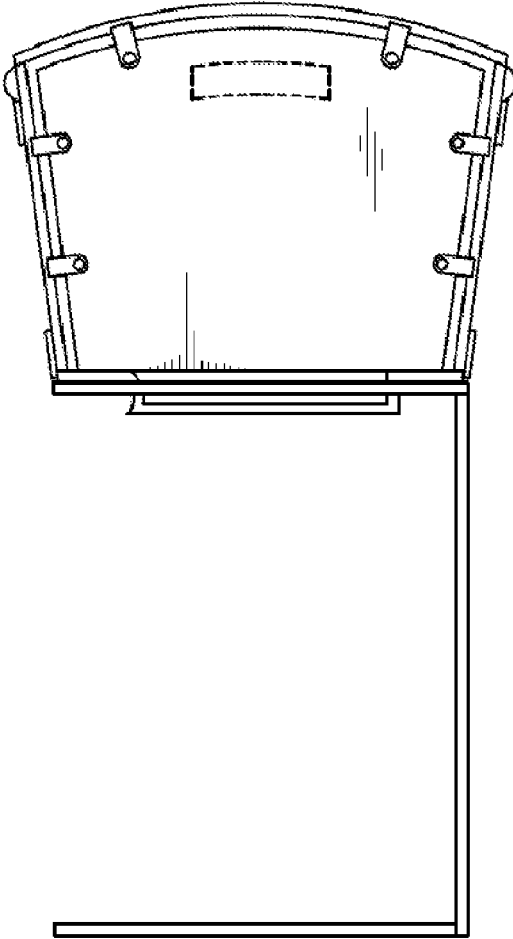


FIG. 5

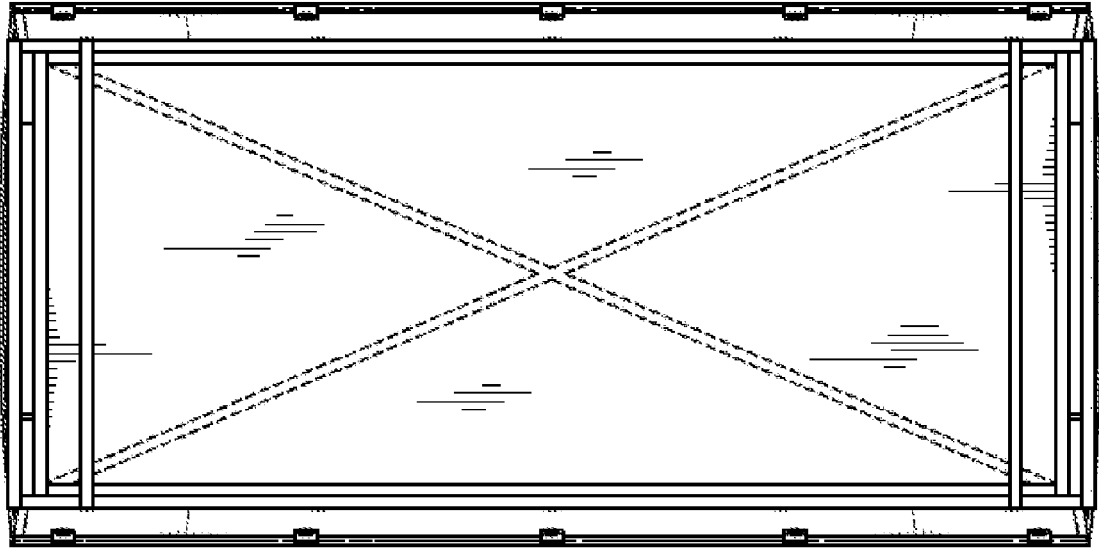


FIG. 6

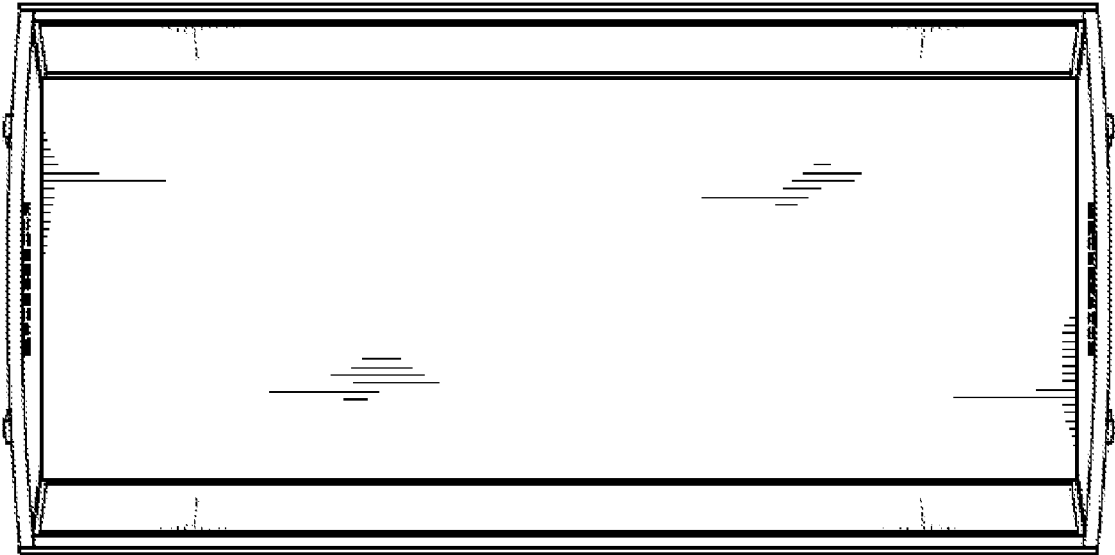


FIG. 7

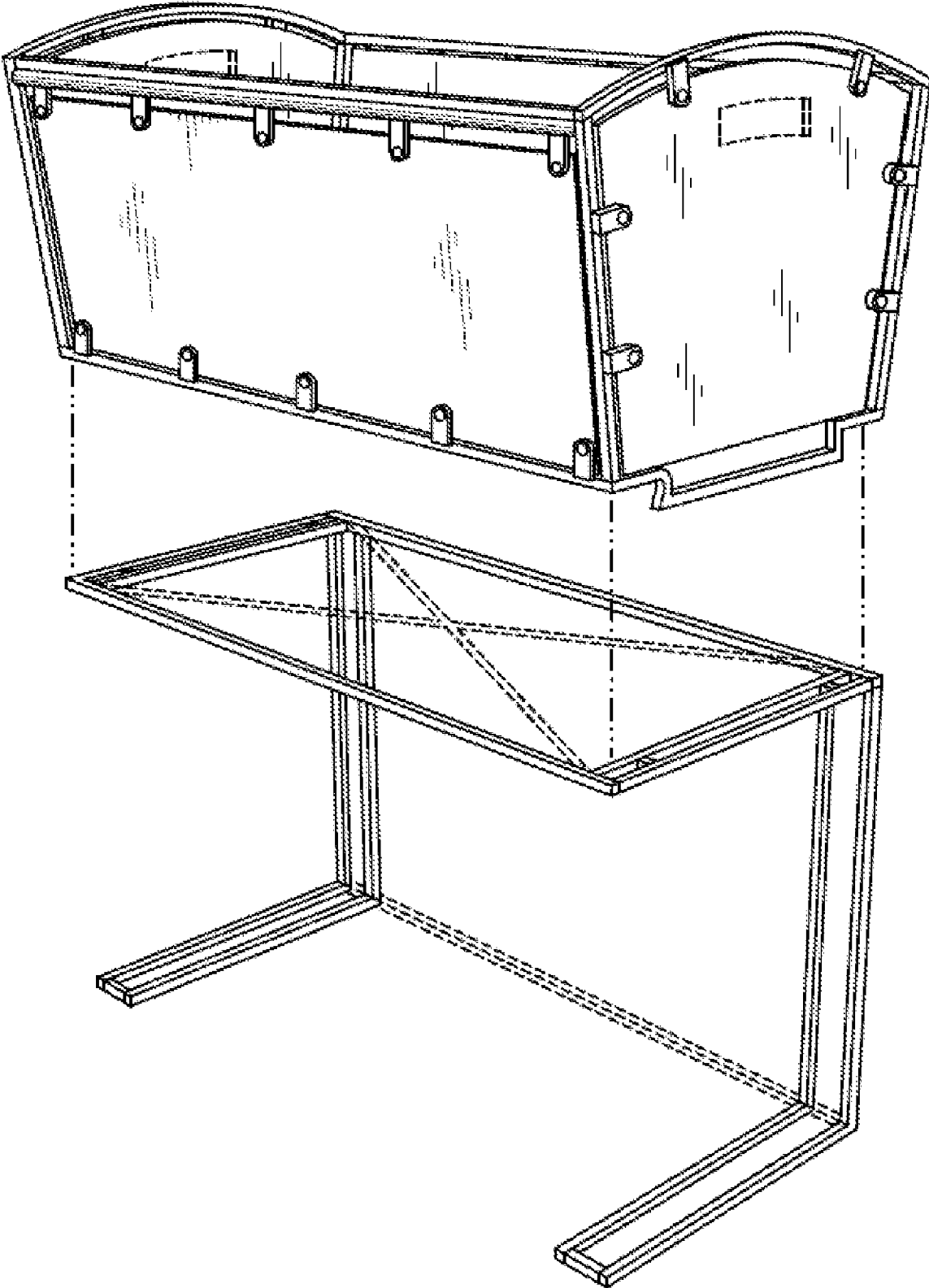


FIG. 8

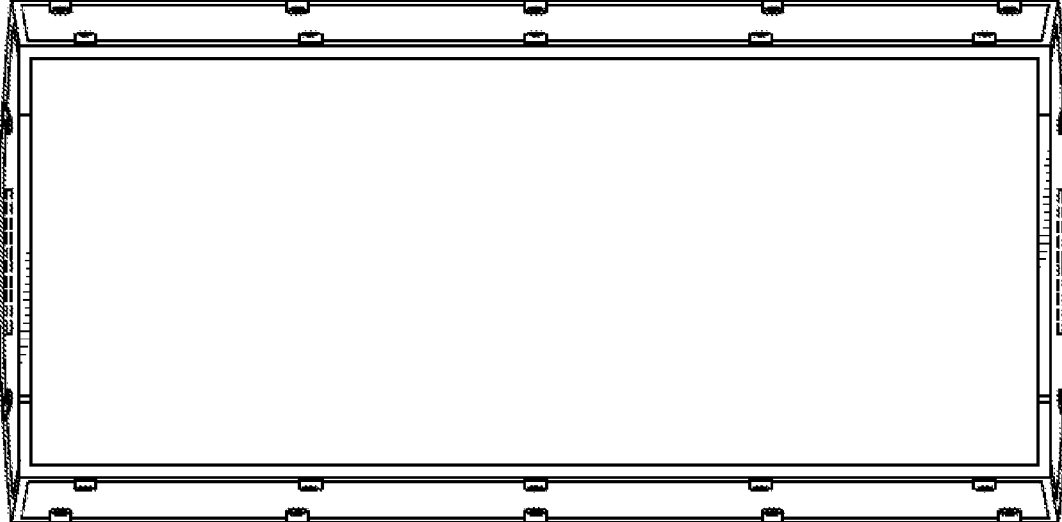


FIG. 9

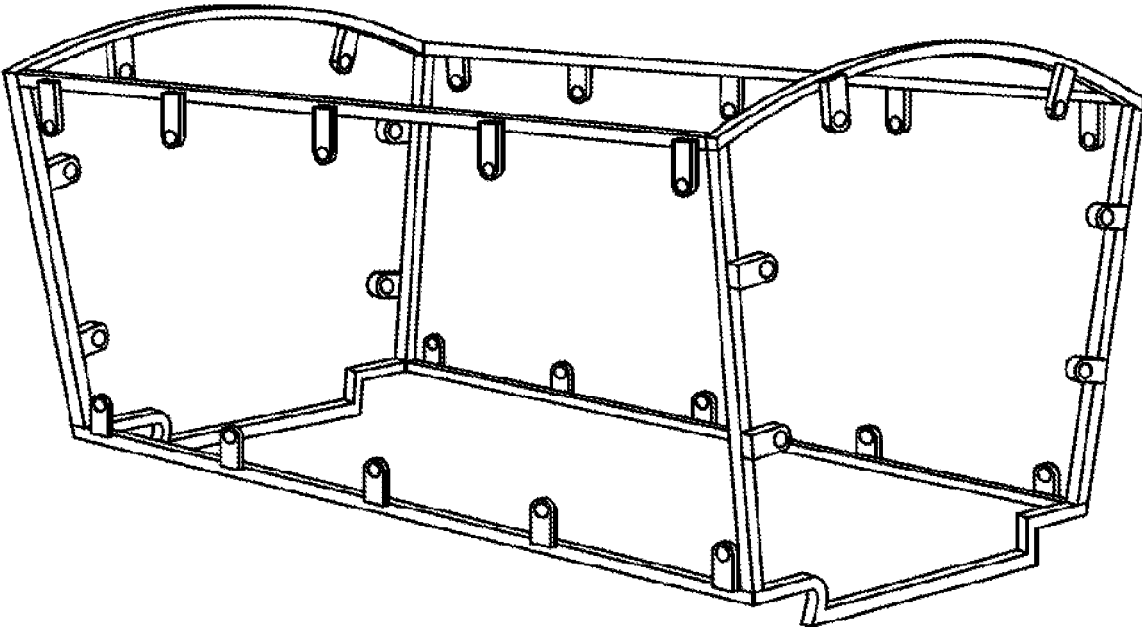


FIG. 10